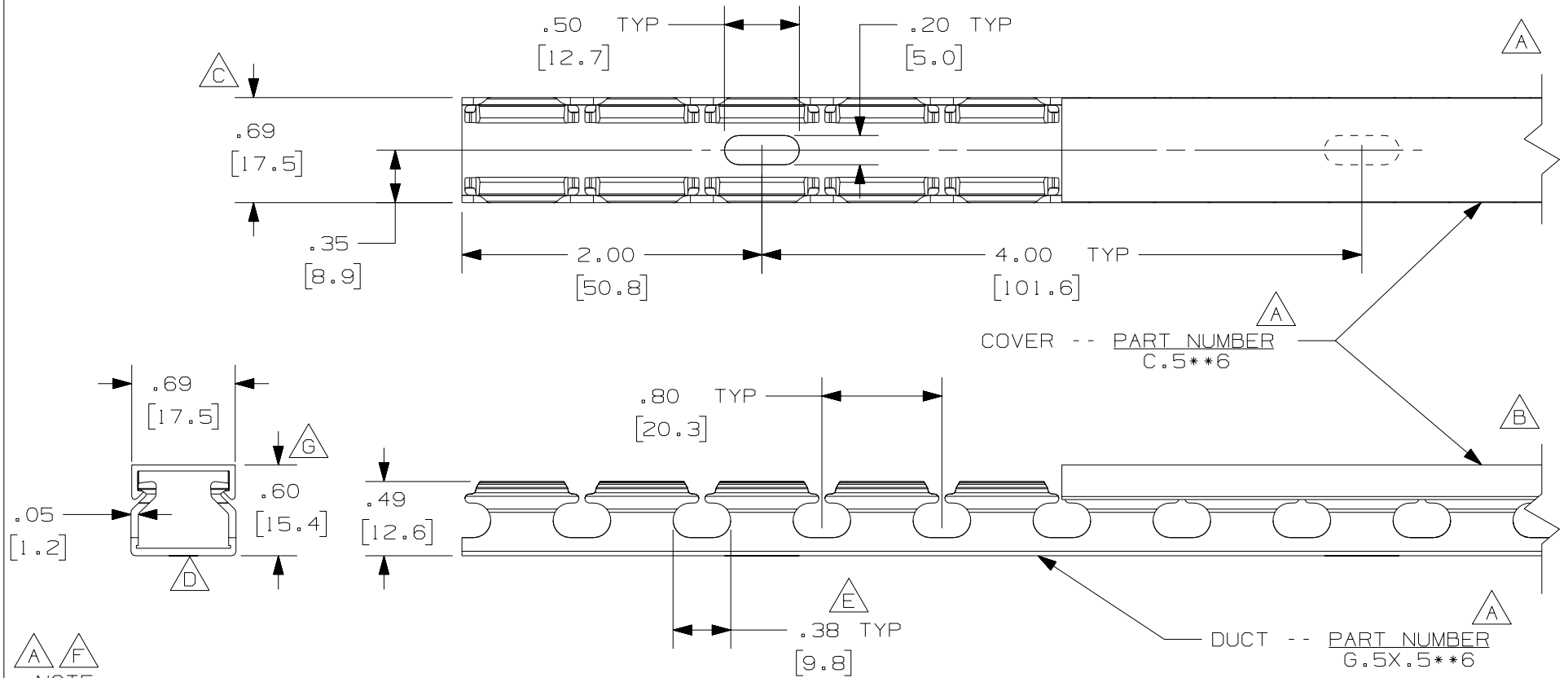


THIS COPY IS PROVIDED ON A RESTRICTED BASIS AND IS NOT TO BE USED IN ANY WAY DETRIMENTAL TO THE INTERESTS OF PANDUIT CORP.



A **F**

NOTE.

1. ALL DIMENSIONS ARE REFERENCE ONLY.
2. DIMENSIONS IN PARENTHESES ARE METRIC.
3. THE ** DENOTE COLOR.
4. DUCT AND COVER ARE AVAILABLE IN 6 FT [1828.8] LENGTHS

CAD FILENAME/LAYERS		D11000PX_DC_01A	
PANDUIT CORP. TINLEY PARK, ILLINOIS			
WIRING DUCT - TYPE G DUCT WITH COVER .5 X .5 MARKETING DRAWING			
DRAWN BY JCST	MAT'L; PVC	SCALE FULL	
DATE 2/20/03	CHK'D JGG	DRAWING NO. 36897-688	DWG SIZE A
REV		DATE	BY

REV	DATE	BY	CHK	DESCRIPTION
--	-----	---	---	G. CHANGED DIMENSION
--	-----	---	---	F. ADDED LENGTH NOTE E. CHANGED PUNCH GEOMETRY - WIDENED SLOT
2	7/6/07	JCST	MKB	D. REMOVED DIMENSION C. ADDED DIMENSION
1	4/22/04	JCST	MKB	B. CHANGED VIEW A. ADDED TOP VIEW, LABELS, AND NOTES
R	2/20/03	JCST	JGG	DRAWING RELEASED